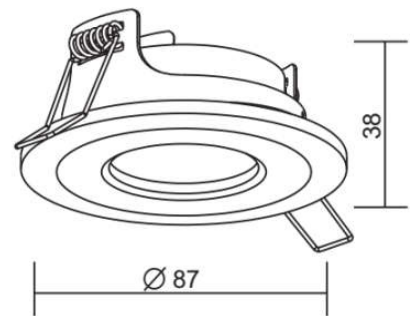


CROSE - MR16



DIMENSION



PRODUCT NAME	: CROSE - MR16
PRODUCT TYPE	: RECESSED DOWNLIGHT
PRODUCT MATERIAL	: ALUMINIUM TRIM METAL BODY
DIMENSION	: DIA 87mm. x H 38mm.
POWER CONSUMPTION	: 220V AC 50/60Hz WITH TRANSFORMER 12V DC
SURFACE FINISH	: WHITE / BLACK
ADJUSTABLE	: NO
INSTALLATION BY	: SPRING CLIP
WIRING	: TERMINAL BLOCK MR16 (Gx5.3)
IP RATING	: IP65

