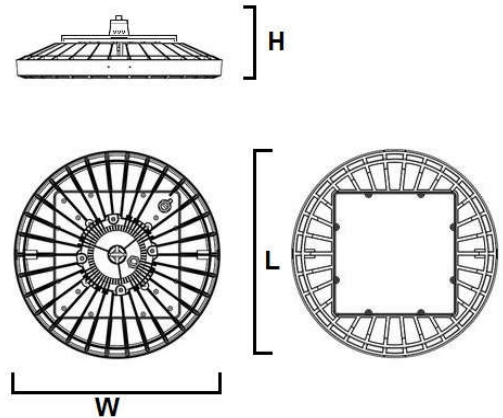


UFO



DIMENSION



PRODUCT NAME	:	ECO - HIGHER
PRODUCT TYPE	:	HIGH BAY LIGHT
PRODUCT MATERIAL	:	HIGH-PURUTY ALUMINIUM REFLECTOR, ALUMINIUM ALLOY
DIMENSION	:	DIA 420mm. x H 170mm. (FOR 80-100W) WEIGHT 5.2KG. DIA 520mm. x H 200mm. (FOR 150-250W) WEIGHT 10.5KG.
POWER CONSUMPTION	:	220V AC 50/60Hz
SURFACE FINISH	:	BLACK, POWDER COATING GEAR
OPTICS	:	V.M. REFLECTOR
INSTALLATION BY	:	MOUNTING AREA CEILING HIGH >6M.
LIGHT SOURCE	:	PHILIPS SMD3030 60D - 80/100/150/200/250W - 5700K
WIRING	:	TERMINAL BLOCK WITH DRIVER MEANWELL
IP RATING	:	IP65

